

THIS DRAWING IS UNPUBLISHED.

RELEASED FOR PUBLICATION

---

© COPYRIGHT - By -

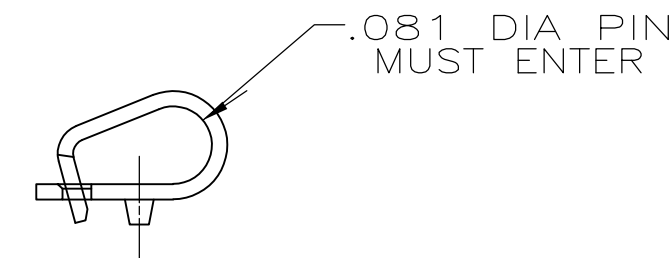
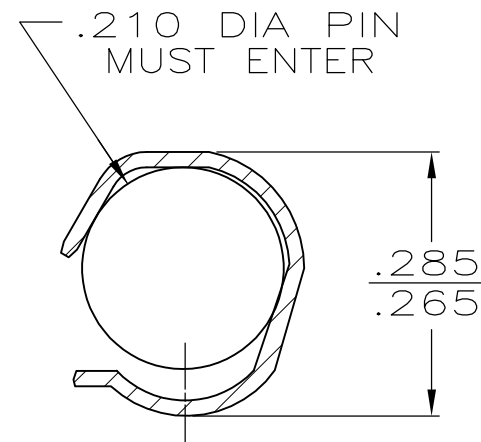
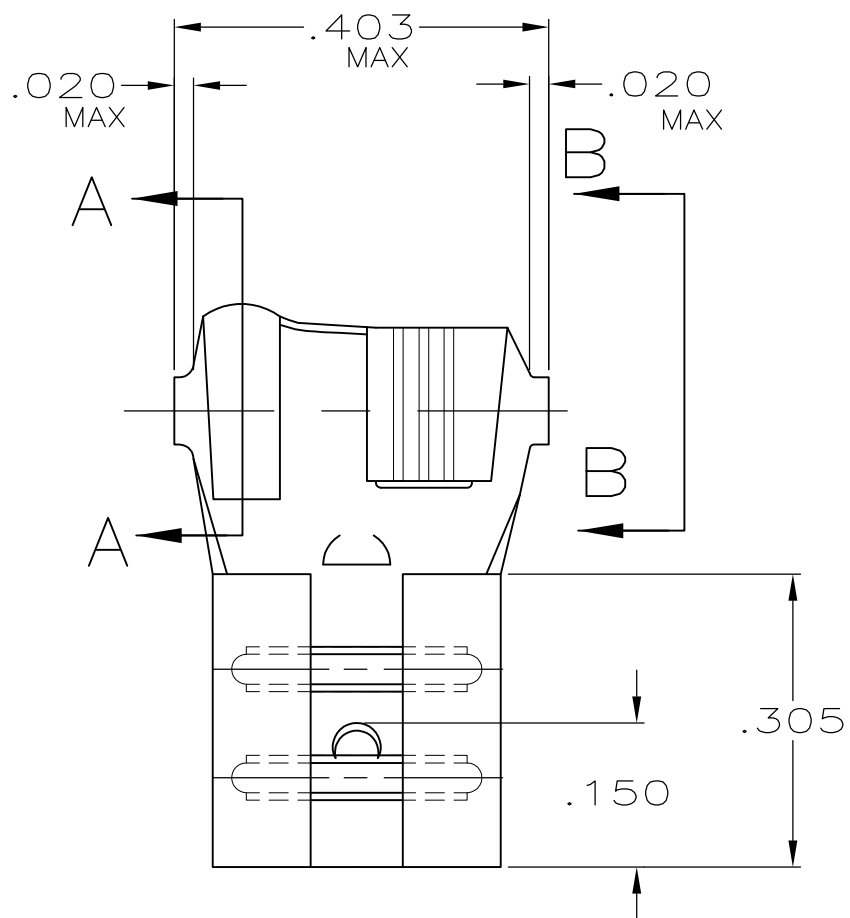
ALL RIGHTS RESERVED.

LOC AF DIST 50

REVISIONS

P	LTR	DESCRIPTION	DATE	DWN	APVD
C		REVISED PER ECO-13-008266	20MAY13	JR	PD

- 1 WIRE AND INSULATION BARRELS TO BE PREFORMED AS SHOWN IN CUT OFF OPERATION.
- 2 SUPPLIED IN LOOSE PIECE.
- 3 FOREIGN PRODUCTION ONLY.
- 4 -2 PART IS MADE FROM 41801
- 5 -3 PART IS MADE FROM 41802.



VIEW B-B

SECTION A-A

TIN	-	2.79-5.33 [.110-.210]	0.8-3.0mm <sup>2</sup> [18-12]	0.81 [.032]	42232-3
FINISH		INSULATION RANGE	WIRE SIZE	±0.025 [±.001] TAB THK	42232-2
					PART NUMBER

THIS DRAWING IS A CONTROLLED DOCUMENT.		DWN JR RUTH 11/16/93	<b>TE Connectivity</b> RECEPTACLE, FASTON,™ FLAG, .250 SERIES					
DIMENSIONS: INCHES		CHK MS FEHER 11/16/93				NAME		
TOLERANCES UNLESS OTHERWISE SPECIFIED:		APVD P DESANTIS 11/16/93				PRODUCT SPEC		
0 PLC ± - 1 PLC ± - 2 PLC ± - 3 PLC ± .015 4 PLC ± - ANGLES ± -		APPLICATION SPEC						
MATERIAL BRASS	FINISH SEE TABLE	WEIGHT -	SIZE A3	CAGE CODE 00779	DRAWING NO C-42232			
CUSTOMER DRAWING			SCALE NTS	SHEET 1 OF 1	REV C			